

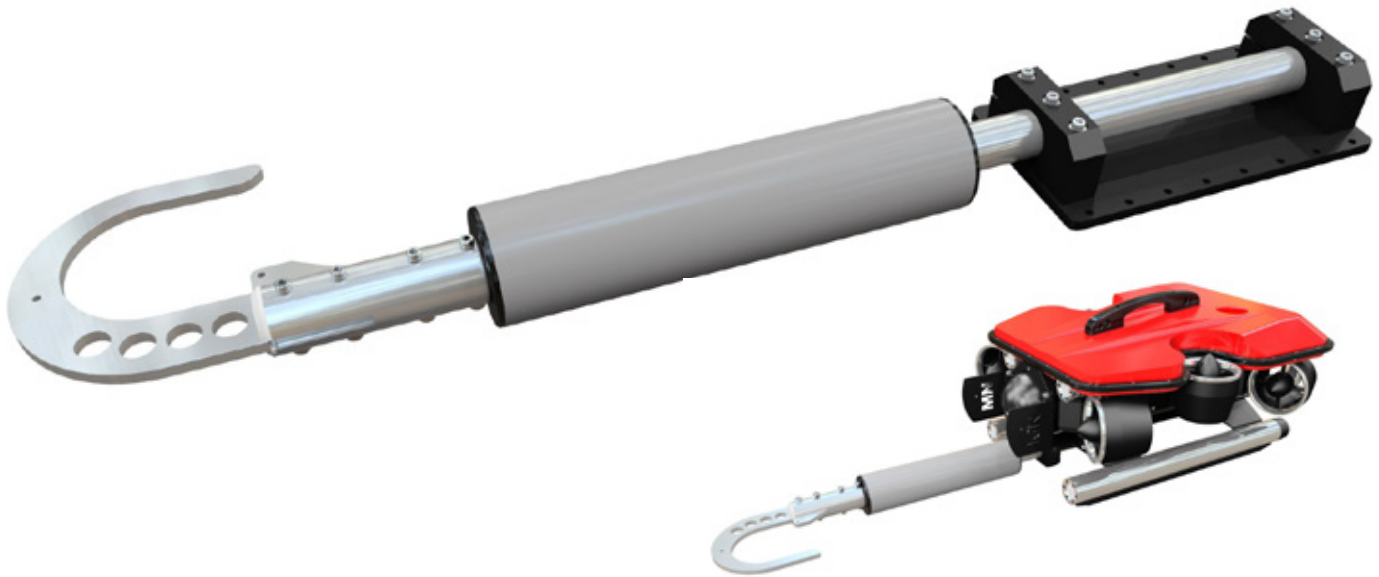
Oceanus ROV System – Accessories

Gaff Pole

Designed,
engineered &
manufactured
on-site. | MN

A00034 ROV Accessories-Gaff Hook-PR1

Compatible with MarineNav's Hybrid, Pro and Ultimate class series ROV systems the Oceanus ROV Gaff Pole is indispensable when retrieving ghost gear, lost mooring chain or underwater cable.

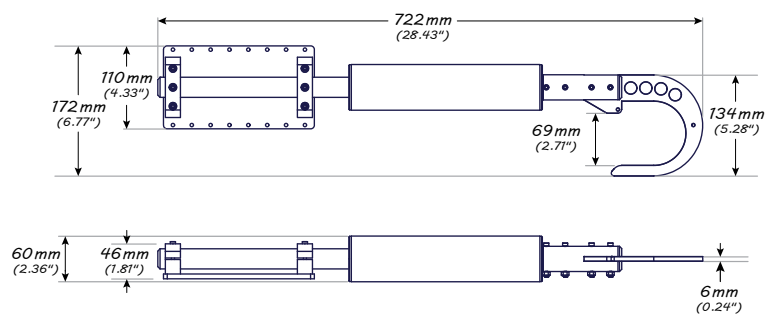


Key Features

Designed, engineered and manufactured on-site, MarineNav ROV accessories are hand-assembled to exacting standards. The MarineNav Gaff Pole ships fully assembled with all necessary mounting fasteners

- Manufactured from aluminum and marine-grade materials. Weighs 1.63 kg (3.6 lbs)
- Locking mechanism to ensure snagged gear remains clear of ROV thrusters and camera dome
- Extra long arm with buoyancy chamber offsets weight of snagged gear
- 2-year limited warranty

Mechanical Specifications



* Limited Two year warranty available when product is registered within the first year of purchase. For warranty to be valid all scheduled maintenance must be adhered to according to manufacturers guidelines. Warranty excludes tampering, misuse and regular wear.

While we strive to ensure the accuracy of all items and descriptions in this document, this is not always possible. Specifications, options, and availability subject to change with out notice. Errors and omissions excepted. We reserve the right to limit quantities.

MARINENAV
BUILT NORTH ATLANTIC TOUGH.
TRUSTED EVERYWHERE.



© 2020 MarineNav Ltd.

Panmure Island Rd
Panmure Island, PE COA 1R0
902 838-7011
www.marinenav.ca