

Oceanus ROV System – Accessories

Tether Deployment System

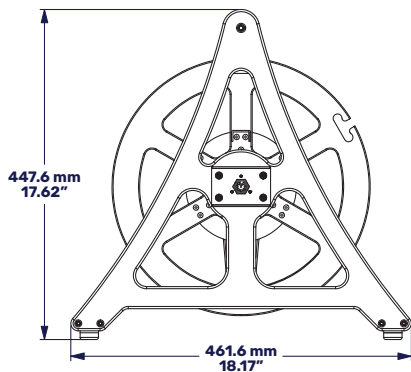
Designed,
engineered &
manufactured
on-site. | MN

A00034 Oceanus_Tether_Deployment_R1

The MarineNav Tether Deployment system is a portable tether management reel capable of controlled deployment and retrieval of tether lengths of up to 180m (590 ft)*.

Rugged construction, built to last.

- Lightweight and durable, constructed from aluminum, PVC and high density polyethylene
- Tether frame can be bolted in place
- All joints reinforced with SS fasteners



SOLID AIRCRAFT ALUMINUM CRANK
Plastic handle folds inwards toward crank for protection during transport

Mechanical Specifications

Part #: ROV-ACC-TDS

Dry Weight	5.5 kg (12 lbs)*
Tether Capacity	180 m (590 ft)*
Dimensions (folded handle position)	461.6mm Length x 491.5mm Width x 447.6mm Height (18.17" L x 19.35" W x 17.62" H)*
Dimensions (open handle position)	461.6mm Length x 552.3mm Width x 447.6mm Height (18.25" L x 22.00" W x 21.74" H)*

* While we strive to ensure the accuracy of all items and descriptions in this document, this is not always possible. Specifications, options, and availability subject to change with out notice. Errors and omissions excepted. We reserve the right to limit quantities.



© 2020 MarineNav Ltd.

Panmure Island Rd
Panmure Island, PE COA 1R0
902 838-7011
www.marinenav.ca