

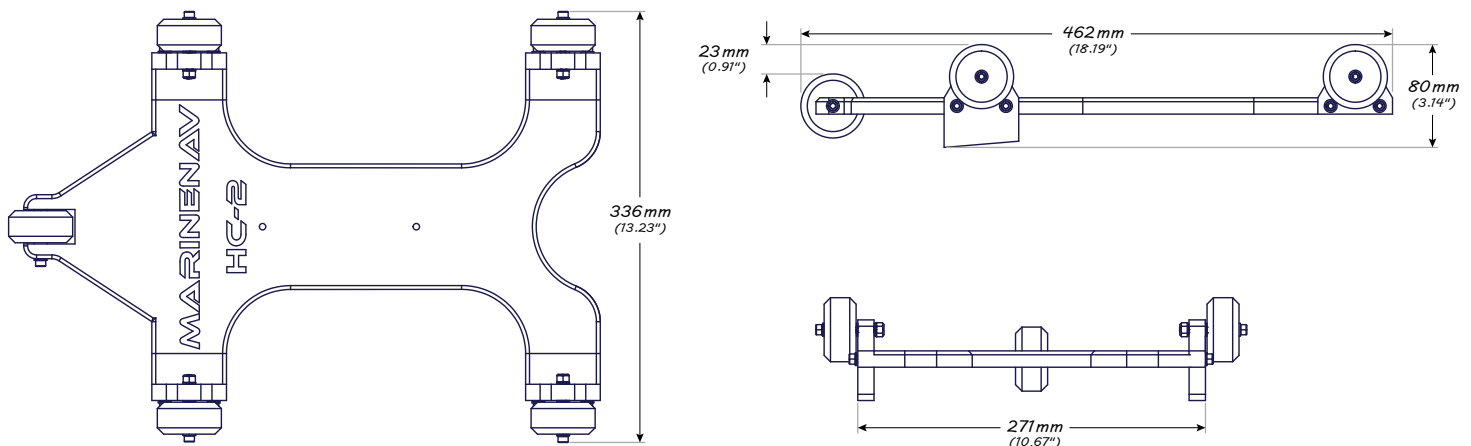
Oceanus ROV System – Accessories

HC2 Hull Crawler

Designed,
engineered &
manufactured
on-site. | MN

A00034 ROV Accessories-HC2 Hull Crawler-PR2

Designed by MarineNav and manufactured on-site, the HC2 Hull Crawler ROV accessory is easily attached to the ROV float-block minimizing potential damage that may occur during contact with a vessel during a hull inspection. A hard protective plate and four wheels allows the ROV to make contact and glide across the vessel surface in a sustained, controlled manner, minimizing sudden bumps or movements which could impede inspections.



Key Features

Designed, engineered and manufactured on-site, MarineNav ROV accessories are hand-assembled to exacting standards. The MarineNav HC2 Hull Crawler ships fully assembled with all necessary mounting fasteners

- Manufactured from aluminum and marine-grade materials
- Integrated design provides quick and easy installation requiring a minimum of tools
- 2-year limited warranty

* Limited Two year warranty available when product is registered within the first year of purchase. For warranty to be valid all scheduled maintenance must be adhered to according to manufacturers guidelines. Warranty excludes tampering, misuse and regular wear.

While we strive to ensure the accuracy of all items and descriptions in this document, this is not always possible. Specifications, options, and availability subject to change with out notice. Errors and omissions excepted. We reserve the right to limit quantities.

MARINENAV
BUILT NORTH ATLANTIC TOUGH.
TRUSTED EVERYWHERE.



© 2020 MarineNav Ltd.

Panmure Island Rd
Panmure Island, PE COA 1R0
902 838-7011
www.marinenav.ca